

SW-LA-6 Lead Acid Charger Automatic Battery Chargers



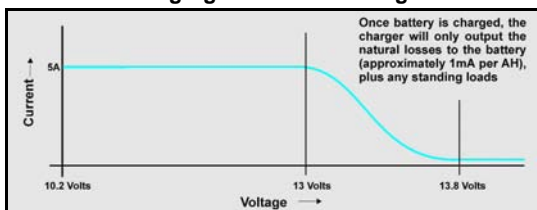
- 6 different voltage outputs
2V, 4V, 6V, 8V, 10V and 12V @ 1A
- Fully automatic charge regulation
- Free standing desk top design
- Switchable input voltage
110-120VAC and 220-240VAC
- Current Limited

Description

The SW-LA-6 is a highly efficient high performance charger. The very smooth output is configured for accurate fast charging, optimum battery life and reliability. The charger is designed to cater for continuous float charging and standby battery applications. Due to its very smooth output (< 1% ripple) the charger is suitable for all types of lead acid batteries. e.g. sealed (VRLA), vented and plate cells.

Switch mode technology is a major advance in power supply and battery charger design. Giving low heat dissipation and a compact low weight design. Utilising the benefits of switch mode, the charger will give a constant current output up to its knee point (13 Volts on a 12 Volt LA) and then ramp down to its float voltage (see graph below). This gives an optimum charge time to ensure that the battery voltage is maintained at the pre-calibrated float level, whilst supplying any additional standing load current up to a specified maximum.

Charging current vs voltage



The SW-LA-6 provides a switchable output between 2V and 12V allowing charging of mono-block configurations and other non-standard battery voltages e.g. childrens electric vehicles, and the wide input voltage range allows for worldwide application.

The free standing desk top unit comes complete with full mains and charge status indication. Connection is made simple via colour coded screw-in terminals.

Product Specification

Power Supply:

nominal operating voltages	110-120VAC and 220-240VAC (switchable)
nominal operating frequency	50-60Hz

DC Charge Output:

output current ADC	1
nominal voltage VDC	2 - 12V
line regulation	< 1%
load regulation	< 1%
output ripple	< 1%
float voltages	see table overleaf

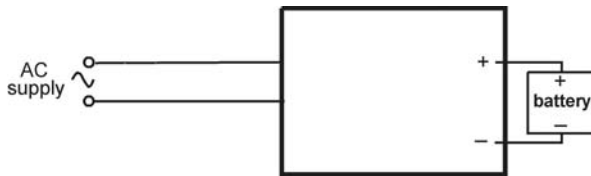
General:

operating temperature	-10 to +55°C
overall dimensions (w x h x d)	108mm x 90mm x 180mm (4.25" x 3.5" x 7.1")
weight	1.6g (3.52lbs)
EMC emission / immunity	EN 58801-2 / EN50082-2

Warranty

A one year limited warranty on materials and workmanship is given with this product. Details are available upon request.

Electrical connection



Notes:

Check supply voltage and set switch at rear accordingly. There are two ranges : 110-120VAC and 220-240VAC)

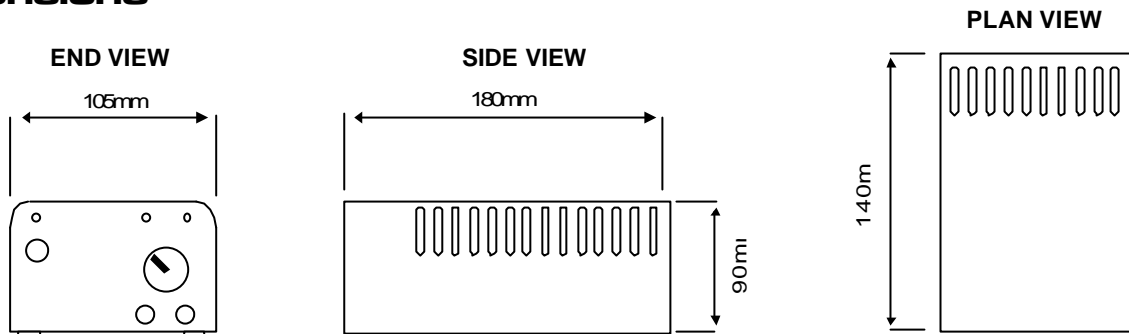
WARNING: Applying a 220-240VAC input to a unit set in the 110-120VAC range can damage the unit.

Calibration

Switch Position	Voltage VDC	Float Voltage VDC
1	2	2.3V
2	4	4.6V
3	6	6.9V
4	8	9.2V
5	10	11.5V
6	12	13.8V

The above are factory standard settings, specials are available on request. These chargers are suitable for all types of rechargeable lead acid. No other types of batteries should be charged. Please refer to battery manufacturer instructions for correct switch position.

Dimensions



How to order

When ordering, please specify:-

PRODUCT	Nominal Output VDC						Nominal Output Current
	2	4	6	8	10	12	1
SW-LA-6	•	•	•	•	•	•	•

CODE	INPUT VOLTAGE
EF*	110-120 / 220-240

* The unit has a slide switch between the two voltage ranges.

BATTERY TYPE
LA

These chargers are suitable only for Lead Acid type rechargeable batteries

Product	Input volts	Battery type
SW-LA-6	EF	LA

The above 3 part number codes must be filled in to complete your order

SW-LA-6 EF LA

The above example shows the order code for a desk top charger ,switchable between 110-120VAC and 220-240VAC input, with a switchable outout between 2V and 12V@1A. calibrated for a vented lead acid battery.

Computronic Controls Ltd
 41 - 46 Railway Terrace
 Nechells. Birmingham, B7 5NG
 United Kingdom
 Tel +44 121 327 8500
 Fax +44 121 327 8501
 email: sales@computroniccontrols.com
 web: www.computroniccontrols.com