

Desk Top Equaliser Range of Automatic Battery Chargers



- **High rate duty float charging:**
4.25A or 6A @ 12V - 3A @ 24V
- **Fully automatic charge regulation**
- **Light compact desk top design**
- **Auto 3 stage operation**
- **Thermal overload protection**
- **Reverse polarity protection**

Description

The Equaliser is a highly efficient high performance charger. The very smooth output is configured for accurate fast charging, optimum battery life and reliability. Due to its very smooth output (< 1% ripple) the charger is suitable for sealed or vented batteries. e.g. Lead Acid sealed (VRLA), vented and plant cells.

The wide range input voltage range, from 95-277VAC allows the charger to be used with all common single phase voltages with no adjustment.

Auto 3 Stage Operation

The output current of the charger is limited to a low value until the battery reaches a specific voltage, preventing high charge current if a cell is shorted. Above this level the bulk charge phase starts supplying maximum current to the battery. This is indicated by the yellow "bulk" LED. This continues until the bulk voltage is reached when the current will start to fall. When it has fallen to 10% of the maximum bulk current the float phase will begin, indicated by the green "end" LED.

Output Inhibit

To prevent damage to batteries which have discharged below recommended voltages the charger gives a minimal charge current until a safe voltage above this point is reached where upon the charger will start applying maximum current.

AC input is via a 3 core input lead and DC output connection is a fly lead terminated with colour coded crocodile clips.

Product Specification

Power Supply:

nominal operating voltages	95-277VAC
nominal operating frequency	47-400Hz

DC Charge Output:

output current ADC	3	6
nominal voltage VDC	24	12
line regulation	< 1%	
load regulation	< 1%	
output ripple	< 1%	
float / boost voltages	see table overleaf	

Output Connection and Indication:

LED indication	Reverse Polarity, Float stage, Bulk stage and End of Charge
Output lead	1.5M lead with crocodile clips

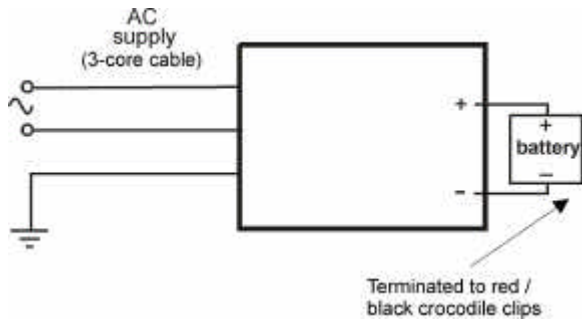
General:

operating temperature	-10 to +55°C
overall dimensions (w x h x d)	115mm x 93mm x 115mm (4.5" x 3.6" x 4.5")
weight	0.56Kg (1.24lbs)
EMC emission / immunity	EN 58801-2 / EN50082-2

Warranty

A one year limited warranty on materials and workmanship is given with this product. Details are available upon request.

Electrical connection



Notes:

The charger will not apply maximum charge current if a battery is not connected or if the open circuit voltage of the battery is below approx. 50% nominal voltage.

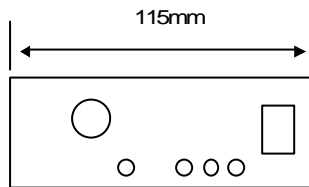
Calibration

Battery type		float volts (VDC)	bulk volts (VDC)
12V	Lead Acid (6 cells)	13.6	14.5
24V	Lead Acid (12 Cells)	27.2	27.6

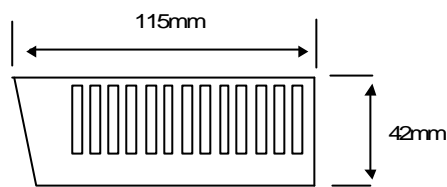
The above are factory standard settings, specials are available on request.

Dimensions

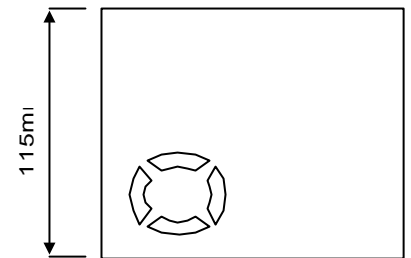
END VIEW



SIDE VIEW



PLAN VIEW



How to order

When ordering, please specify:-

PRODUCT	Nominal Output VDC		Nominal Output Current		
	12	24	6	4.25	3
DTEQ126	•		•		
DTEQ124.25	•			•	
DTEQ243	•	•			•

INPUT VOLTAGE	
CODE	95-277VAC
CD	•

BATTERY TYPE	
Lead Acid	VRLA
LA	•
VRLA	•

Product **Input volts** **Battery type**

The above 3 part number codes must be filled in to complete your order

DTEQ126 CD VRLA

The above example shows the order code for a desk top charger with 95-277V, AC input, 12V@6A, DC output auto 3 stage, calibrated for a VRLA battery.

Computronic Controls Ltd
 41 - 46 Railway Terrace
 Nechells, Birmingham, B7 5NG
 United Kingdom
 Tel +44 121 327 8500
 Fax +44 121 327 8501
 email: sales@computroniccontrols.com
 web: www.computroniccontrols.com