

## Sentinel series

### Automatic switch mode battery chargers



- **High rate float charging: 5 or 10A @ 12 VDC, 5A @ 24VDC**
- **Light, compact design**
- **Short circuit and reverse polarity protection**
- **Temperature compensation**
- **Auto Boost**
- **Alarm output**

#### Description

The Sentinel is a highly efficient, high performance charger, designed for continuous float charging and standby battery applications. Switch mode technology provides major advances in power supply and battery charger design, giving a compact and lightweight construction, improved efficiency and low heat dissipation, wide supply voltage tolerance and low output ripple.

Sentinel chargers are configured for fast, accurate charging, to give optimum battery life and reliability. The very smooth output (< 1% ripple) allows charging of sealed or vented batteries – e.g. Nickel Cadmium (NiCd), Lead Acid sealed (VRLA), vented and Plante cells – or use as a stand-alone power supply.

Sentinel features an intelligent, multi-stage charge regime: during charge recovery mode, the charger gives a constant (maximum) current output; as the battery approaches peak charge, the output reverts to float charge mode, maintaining an optimum cell voltage and supplying additional standing load current up to the specified maximum.

The Sentinel range is available in two variants: SNS models provide basic charging; SNL models provide higher specification features.

#### Auto Boost

SNL models include an Auto boost feature. Auto boost provides a temporary increase in output voltage, equalising the battery charge between cells and maximising battery life and capacity.

Auto boost is triggered automatically when the battery falls below a preset voltage, or can be initiated manually by linking two 'boost' terminals, e.g. via a panel switch or momentary push button. Once the batteries have reached the boost voltage level, Sentinel reverts to its normal float charge mode, preventing battery over-charge and gassing.

#### Temperature compensation

The optimum charge voltage for lead acid and NiCd batteries varies with ambient temperature. All Sentinel chargers include on-board temperature sensing and output compensation (3mV/cell decrease for each °C increase). For even greater temperature accuracy, 'RTC' option units include a remote temperature sensor with 3 metre lead assembly (other lengths available to special order).

#### Product specifications

	SNS70 SNL70 (12V)	SNS140 SNL140 (24V)	SNL140 (12V)
<b>power supply:</b>			
supply voltage,	120 V units: 240 V units:	85 – 135 V ac 185 – 305 V ac	
operating frequency		47 – 63 Hz	
<b>DC charge output:</b>			
maximum current limit	5	5	10
nominal voltage	12	24	12
line regulation		+/- 1%	
load regulation		+/- 1%	
output ripple		< 1%	
float / boost voltages		see table overleaf	
<b>alarm output:</b>			
output polarity		negative DC during fault (switched SPNC relay contact, de-energising on fault),	
current rating		1A max. @ 30 VDC (resistive load)	
<b>general:</b>			
operating temperature		-20 to +55°C	
humidity		20% to 90% RH	
dimensions		see table overleaf	
weight: SNS, SNL		0.55 Kg / 1.2lb, 0.6 Kg / 1.3lb	
EMC emission / immunity		EN50081-2 / EN50082-2	

#### Alarm output

All Sentinel chargers include an alarm relay output. On SNS models, the relay de-activates immediately during a charge fail condition (e.g. AC supply/fuse failure, DC fuse failure or low/no charge current). On SNL models, the relay also de-activates on high or low battery voltage faults, but only after a 120 second delay that allows for normal battery voltage variations, e.g. engine cranking.

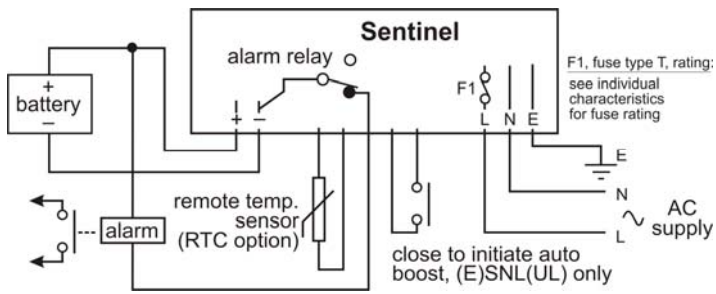
#### Installation and connection

Circuit board connection is via screw terminal blocks. The circuit board and protective cover are mounted on a baseplate/heatsink, designed for surface mounting in an enclosed control panel.

#### Warranty

A two year limited warranty on materials and workmanship is given with this product. Details are available on request.

## Electrical connection

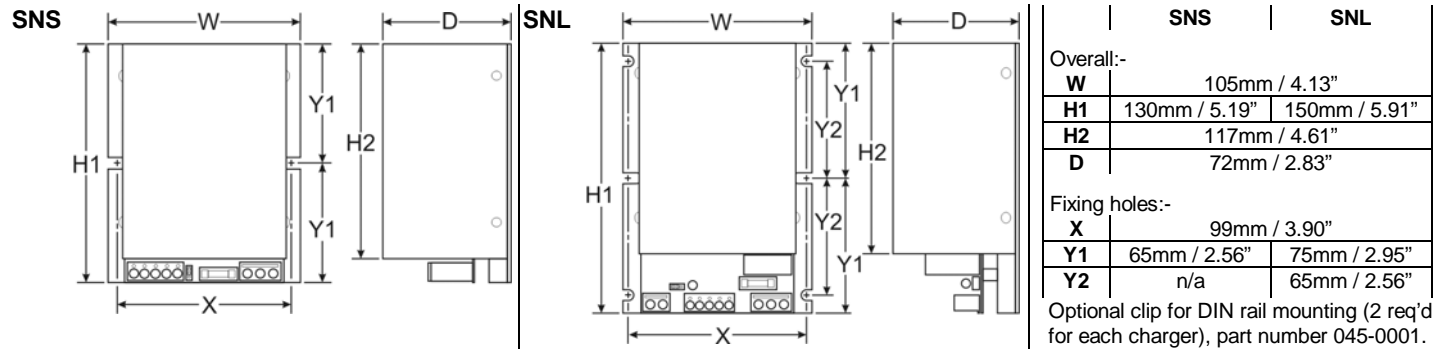


## Output calibration

Calibration figures at 20 deg C. Temperature compensation causes output voltage to automatically decrease (or increase) at a rate of 3mV per cell, per °C increase (or decrease) in temperature.

Battery type	float volts (V DC)	boost volts (V DC)
12V	Vented lead acid (6 cells)	13.5
	Calcium-Calcium (6 cells)	13.8
	VRLA, AGM (6 cells)	13.5
	VRLA, Gel (6 cells)	13.5
	NiCd (10 cells)	14.1
24V	Vented Lead acid (12 cells)	27.0
	Calcium-Calcium (12 cells)	27.6
	VRLA, AGM (12 cells)	27.0
	VRLA, Gel (12 cells)	27.0
	NiCd (18 cells)	25.6
	NiCd (20 cells)	28.2

## Dimensions



## How to order

When ordering, please specify:-

Product	Nominal Output Voltage, V DC		Maximum Output Current, A DC	
	12	24	5	10
SNS701205	●		●	
SNS1401210	●			●
SNS1402405		●	●	
SNL701205	●		●	
SNL1401210	●			●
SNL1402405		●	●	

Options	
Code	Remote Temp. Compensation
RTC	●

Nominal input voltage		
Code	120 VAC	240 VAC
C	●	
D		●

Code	Battery type						
	Vented L/Acid	Vented L/Acid (Ca/Ca)	VRLA AGM	VRLA Gel	10 cell NiCd	18 cell NiCd	20 cell NiCd
LA	●						
CA		●					
AGM			●				
GEL				●			
10NC					●		
18NC						●	
20NC							●

product / output rating	input volts	battery type	option
-------------------------	-------------	--------------	--------

The above 3 part number codes must be used

Insert option if required

e.g. **SNL1401210 D AGM**

**RTC**

The above example shows the order code for a 12V/10A SNL charger, 240VAC input, with output calibration for AGM lead acid batteries, plus remote temperature sensing option

Stainless steel, wall-mounted enclosure versions of the Sentinel are also available: see datasheet cd0014